

Montpellier

THE PERFECT BALANCE OF FUNCTION AND STYLE

LAUNDRY - DISHWASHING - COOKING - COOLING

Installation and Operating Instructions



Integrated Fridge Freezer MIFF502/MIFF702 - Static

Please read these instructions carefully before attempting to install or use this appliance.
We recommend that you keep these instructions in a safe place for future reference.

Welcome

Thank you for choosing this Montpellier appliance.

Our appliances have been designed to provide you with the best combination of style, reliability and performance to give you years of trouble-free use.

You may be familiar with a similar product, but please take time to read these instructions carefully before installing or using your appliance to ensure you get the most from your purchase.

We recommend that you keep this manual in a safe place for future reference.

Your appliance is covered by a comprehensive two year Parts & Labour Guarantee. In the unlikely event that you experience a problem with your appliance, you can rest assured that you are fully protected against the cost of repairs for the first 24 months. Please note that any claim must be accompanied by the model reference number, serial number and proof of purchase.

To activate your guarantee, you will need your product serial number. This can be found inside your appliance.

There are two ways to register your Guarantee:

- **Online:** Visit the Support page on our website and complete the online Product Registration form. www.montpellier-appliances.com
- **By Post:** Simply detach and fill in the form provided, attach a stamp and send it in the post. Don't forget to include your e-mail address so that we can send confirmation through to you.



2
YEAR
GUARANTEE
— PARTS & LABOUR —
ACROSS ALL OUR MODELS
Montpellier
www.montpellier-appliances.com



Note: We are unable to take registrations over the phone.

7 cbhYbhg. ·

- 2 Important information
- 4 Important safety and usage Instructions
- 5 Before first use
- 6 General use of the fridge
- 7 General use of the freezer
- 8 Storage
- 9 Control panel
- 12 Care and cleaning
- 13 Defrosting the Fridge & Freezer
- 14 Troubleshooting
- 16 Installation Preparation
- 19 Ventilation
- 20 Installation into the cabinet
- 21 Mounting the fascia doors
- 23 Reversing the appliance doors
- 24 Electrical Information
- 26 Climate range
- 27 Practical tips
- 28 Energy Efficiency Information
- 30 Warranty and service

**⚠️ A DCFH5BH. D`YUgYfYUXh`Yi gYf]bgfhi W]cbgW]fYZi ``m/YZcfY`
i g]b[h`YUdd`]UbVW Zcf h`Y Z]fgh]a Y UbX VYZcfY]bgfU``]b[]H`
: U]i fYhc]bgfU``h`Yappliance, or to have it installed, as per the
user manual could invalidate the warranty. Any service calls
relating to misuse or incorrect installation could incur a service
charge.**

Important Information

The manufacturer cannot be held responsible for injuries or losses caused by incorrect use or installation of this product. Please note that we reserve the right to invalidate the guarantee supplied with this product following incorrect installation or misuse of the appliance. This appliance is not designed to be used by people (including children) with reduced physical, sensorial or mental capacity, or who lack experience or knowledge about it, unless they have had supervision or instructions on how to use the appliance by someone who is responsible for their safety. Under no circumstances should any external covers be removed for servicing or maintenance except by suitably qualified personnel.

Appliance information:

Please enter the details on the appliance rating plate below for reference, to assist Customer Care in the event of a fault with your appliance and to register your appliance for guarantee purposes.

Appliance Model	
-----------------	--

Serial Number	
---------------	--

EU Declarations of Conformity:

This appliance has been designed, constructed and marketed in compliance with safety requirements of EU Directive 2014/35/EU (Low voltage) and requirements of EU Directive 2014/30/EU (EMC).

This appliance has been manufactured to the strictest standards and complies with all applicable legislation, including Electrical safety (LVD) and Electromagnetic interference compatibility (EMC). Parts intended to come into contact with food conform to 1935/2004/EC. This refrigeration appliance is intended for use as a built-in appliance.

IMPORTANT INFORMATION FOR CORRECT DISPOSAL OF THE PRODUCT IN ACCORDANCE WITH EC DIRECTIVE 2012/19/EU.

At the end of its working life, the product must not be disposed of as urban waste. The refrigeration system contains insulating gases and refrigerants, which require specialised waste disposal. The valuable materials contained in this appliance can be recycle. It must be taken to a special local authority differentiated waste collection centre or to a dealer providing this service.

Before disposing of an old appliance, remove the door seals, latch or bolt lock to avoid the risk of child entrapment.

Disposing of a household appliance separately avoids possible negative consequences for the environment and health deriving from inappropriate disposal and enables the constituent materials to be recovered to obtain significant savings in energy and resources. As a reminder of the need to dispose of household appliances separately, the product is marked with a crossed-out wheeled dustbin.



Important Safety and Usage Instructions

Never store inflammable or explosive items and strong corrosive acids or alkalis in the appliance.

This is a household appliance, which is produced in accordance with the national standard. It is intended for food storage only, not for storage of blood, medicine and biological products.

To prevent risk of fire, keep the appliance away from petrol or any other inflammables.

To prevent risk of electromagnetic interference or other accidents, do not place a microwave oven on top of the refrigerator or use any electric appliance inside the refrigerator.

Do not allow children to play with or near the appliance.

The internal surface of freezer compartment is very cold when the appliance is running. Do not touch the surface especially when hands are wet.

Do not splash water onto the appliance. Keep it away from places of high humidity that may have adverse effect on the electric insulation performance.

This appliance is designed to be used in ambient temperatures between 18-38°C. Use outside of this range may cause the appliance to fail.

Before First Use

You must allow the fridge to settle for at least twenty four hours prior to switching the power on.

It is recommended that you clean the interior of the appliance prior to first use, using a solution of bicarbonate of soda and warm water and then thoroughly drying the interior.

The fridge may have an odour to it at first use. This will disappear as the appliance cools.

When first switching the appliance on the fridge will default to 5°C and the freezer to -18°C. The figure in the digital display for freezer temperature will flash until the temperature drops below 0°C.

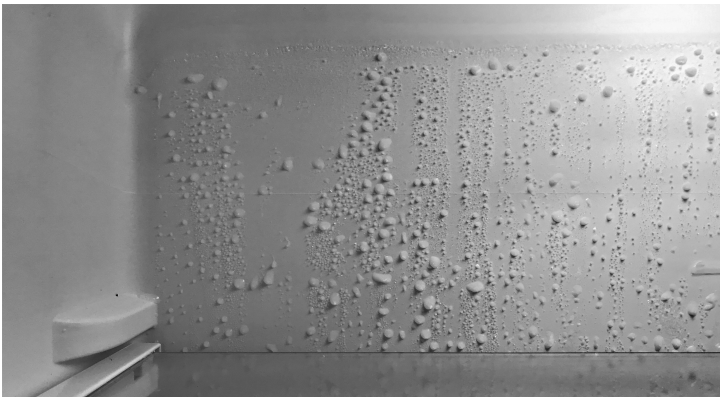
Please note:

The appliance will work continuously until it comes down to the correct temperature.

If the appliance is switched off, you should allow five minutes before switching it on again to prevent unnecessary damage to the compressor.

Never store inflammable or explosive items and strong corrosive acids or alkalis in the appliance.

This fridge cools your food by making the inside back wall of the cavity cold. It is normal for frost to build up on this surface(see below image) as it is a wet wall fridge, it then dissipates and drains through a small drain hole at the bottom where it evaporates harmlessly. The presence of frosting at the back is not a malfunction of the fridge.



General use of the Fridge

- Never put liquids in the refrigerator uncovered.
- Never put hot foods in the refrigerator. Warm food should be allowed to cool to room temperature before being put into the refrigerator.
- Nothing should rest against the rear wall of the refrigerator as this is a wet wall appliance which during normal usage will form droplets of ice on the rear wall(ref to image Page 5). This will cause items to freeze to the back wall.
- Make sure food is clean and any extra water is wiped away before putting into the fridge.
- Wrap or cover food before putting into the fridge. This will help prevent the loss of moisture, keep food fresh and avoid unpleasant odours.
- Sort foods prior to storing. Any foods to be used soon should be stored at the front of the shelf to prevent deterioration caused by the door being open for prolonged periods.
- Do not overfill the fridge. There should be sufficient space between the foods to allow the cool air to circulate.
- Thawing frozen foods in the fridge compartment will help to keep the temperature low and save energy.

General use of the Freezer

- The freezer compartments are designed to store only frozen food.
- Never put hot or warm foods in the freezer, allow them to cool fully before putting them into the freezer.
- Follow the instructions on the food packaging for storage of frozen food. If no information is provided, foods should not be stored for more than three months after the purchase date.
- Store food in small packages (ideally less than 2.5kg). This reduces the freezing time and improves the quality of the food after thawing.
- Wrap food before putting into the freezer. To stop the wrapping sticking together, ensure it is dry.
- Label the food before freezing with information including type of food and dates of storage and expiry.
- Once food is thawed, it must not be refrozen unless it has been completely cooked. Only defrost as much food as is required, to prevent wastage.
- Bottled or canned drinks should not be stored in the freezer compartments as they could explode.
- Check the rating plate to confirm the maximum amount of fresh food that can be frozen within a 24 hour period.
- Do not attempt to freeze more than the maximum amount.
- To freeze fresh food more quickly, switch on the super freeze function a few hours prior to placing the food in the freezer.
- Do not use the super freeze function for more than 24 hours. Use over the recommended time will place unnecessary strain on the refrigeration system.

Note: If the appliance does not have a freezer compartment (❄️) it is not suitable for freezing foodstuffs.

Storage

The fridge section is for short term food storage. Although the temperature can be maintained between 0- 10°C, extended periods of food storage is not recommended.

As the cold air circulates within the fridge, the temperature can vary between the different sections. As such, foods should be stored in different sections according to type. Section 6 is the coldest part of the fridge.

1. Butter
2. Food in jars and bottles
3. Drinks, e.g. milk
4. Cooked food
5. Yogurts and cheese
6. Fresh meat and fish
7. Wine Rack
8. Fruit and vegetables

The fridge shelves can be moved according to the storage requirements within the fridge section. To move the shelf, lift up the front section and then pull it outwards. To replace, slide the shelf back into the slot, and then lower the front section. (see Fig.2)

If storing wine (75cl Bordeaux bottles) on the bottle rack, the bottles should be placed with the bottle neck facing the rear wall of the appliance.

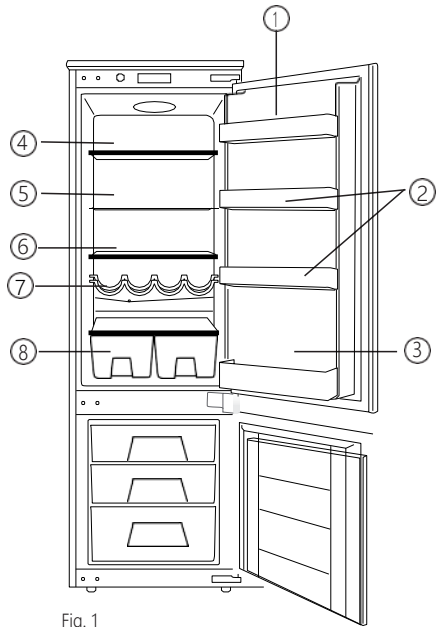


Fig. 1

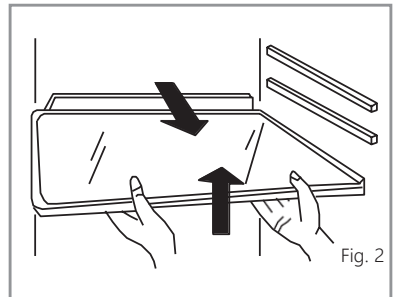
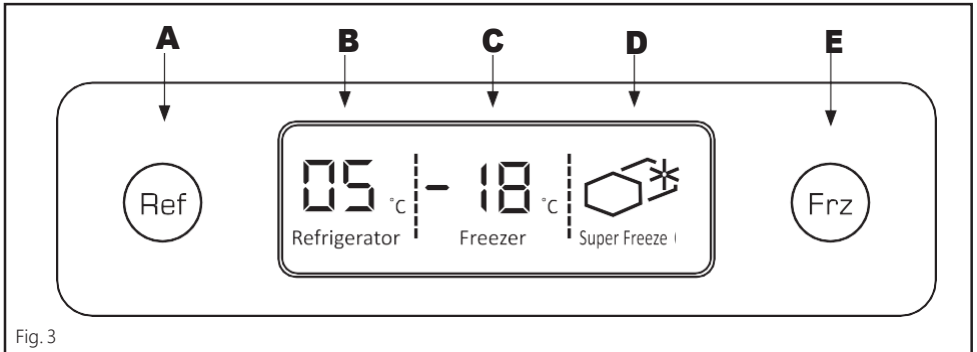


Fig. 2

Control Panel



A. Refrigerator Button

This button is used to adjust the fridge temperature between 2°C and 10°C in 1°C increments.

To change the temperature setting, press this button once so the display shows the set temperature and flashes. While it is still flashing, press this button several times until the required temperature is shown on the display. Approximately 5 seconds after your last press of this button the new temperature is set and the display changes back to showing the actual temperature inside.

After changing the temperature setting the time taken to achieve the new temperature will depend on how big the change is from the previous setting.

B. Refrigerator Temperature Display

In normal running this shows the actual temperature in the refrigerator compartment. See above for how this is used in setting the refrigerator temperature.

C. Freezer Temperature Display

In normal running this shows the actual temperature in the freezer compartment. If the temperature in the freezer is higher than 0°C this will flash, otherwise it will be static.

See below for how this display is used in setting the freezer temperature.

D. Super Freeze Display

The super freeze function can be used to freeze large quantities of fresh food as quickly as possible. Fig 3 shows how this display looks when the super freeze is switched on.

To switch on the super freeze function, push and hold the freezer button (**E**) for three seconds.

Once the food is frozen, push and hold the freezer button (**E**) for three seconds again to switch off the super freeze function.

IMPORTANT Do not use the super freeze function for more than 24 hours at a time.

E. Freezer Button

The freezer temperature is regulated by this button between -25°C and -15°C in 1°C increments.

To change the temperature setting, press this button once so the display shows the set temperature and flashes. While it is still flashing, press this button several times until the required temperature is shown on the display. Approximately 5 seconds after your last press of this button the new temperature is set and the display changes back to showing the actual temperature inside: it will continue to flash if the actual temperature in the freezer is above 0°C, and until the actual temperature falls below zero. After changing the temperature setting, the time taken to achieve the new temperature will depend on how large the change from the previous setting.

Switching On and Off

When the fridge freezer is connected to a power supply it will automatically switch on. It may be switched off without disconnecting the power supply by pressing and holding the refrigerator button (**A**) and the freezer button (**E**) at the same time for approx. five seconds. Pressing these two buttons together again for a further five seconds will switch the fridge freezer back on. Note that when doing this there may be a delay before the motor starts, this is not a fault with the appliance.

Twin Thermostat Control.

This appliance works on a twin thermostat system that gives you control over your fridge or freezer independently allowing you to turn the fridge off and leave the freezer on, for example if you are going away on holiday but wish to keep your frozen food frozen, or you can turn the freezer off when de-frosting without having to turn off your fridge.

To turn either section off refer back to the relevant section above on how to adjust the temperature and set the fridge or freezer to zero. When you are ready to turn back on simply set the temperature back to your required temperature setting.

Care and cleaning

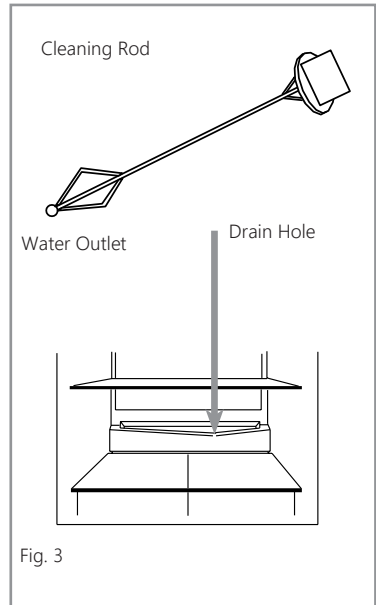
Always disconnect the appliance from the power supply before any cleaning or maintenance.

The fridge and crisper sections should be cleaned using a solution of bicarbonate of soda and lukewarm water. Do not use abrasive products or detergents. After washing, rinse and dry thoroughly.

Clean the shelves, drawers and balconies separately by hand with a mild solution of washing up liquid and water. Do not put them in the dishwasher.

The water drain hole at the back of the fridge compartment and the evaporating tray should be cleaned periodically to prevent the defrosted water from collecting inside the fridge compartment. The cleaning rod can be used to clean the drain hole. Always ensure that the drainage channel, visible at the rear of the appliance, is kept clear of debris. If you notice that the drain hole/ channel is iced over, use warm (**not boiling**) water to remove the ice blockage.

If the appliance is not to be used for prolonged periods of time, unplug and clean the appliance. The doors should be left slightly ajar to prevent the formation of mildew and unpleasant odours.



Defrosting the Fridge

The fridge is self-defrosting. Any water created will run out of the fridge through the channel at the back of the fridge.

It is important to keep the channel clear at all times using the cleaning tool supplied.

The defrosted water is collected in the evaporating tray at the back of the appliance and dissipated by evaporation.

Defrosting the Freezer

Once the ice in the freezer is more than 5mm thick the freezer should be defrosted.

24 hours before defrosting the freezer turn on the super freeze function to ensure all the food is thoroughly frozen.

Before switching off the freezer to perform the defrost make sure all the food is securely wrapped in sheets of paper or towels and placed in a cool place.

When performing the defrost do not use any heaters, hair dryers or solvents as these may damage to appliance and will invalidate any warranty.

Turn the appliance off at the control panel and remove all of the freezer drawers.

Never use any metallic or sharp objects such as knives or forks to remove the ice as this could damage the lining.

To speed up the defrosting process, place a bowl of warm water in the base of the freezer compartment.

The freezer should be cleaned using a solution of bicarbonate of soda and lukewarm water. Do not use abrasive products or detergents. After washing out, rinse and dry thoroughly.

Once defrosted and all cleaning is complete replace baskets, food and turn on the appliance.

The freezer compartment should be defrosted regularly to ensure the most efficient running of the appliance.

Troubleshooting

If you have any problems with your appliance, you should check the troubleshooting guide prior to calling the Customer Care to prevent unnecessary service calls and potential cost. Contact details are in the back of this manual

If the appliance is not working, check the following:

- There is power to the appliance
- The house fuses are intact and the fuse in the plug has not blown
- The on/off switch is not set to off
- The plug socket is functioning correctly. To check this, plug another electrical appliance in to see if the socket is faulty

If the appliance is working, but not very well, check the following:

- The appliance is not overloaded
- The thermostat is set to an appropriate temperature
- The doors are closing properly
- The cooling system at the rear of the appliance is clean and free of dust, and not touching the rear wall
- There is enough ventilation at the side, rear walls and underneath
- The lower vents are neither blocked nor dirty

If the appliance is noisy, check the following:

- The appliance is level and stable
- The side and rear walls are clear, and there is nothing resting on the appliance
- **Note:** The cooling gas in the refrigerator may make a slight bubbling or gurgling noise, even when the compressor is not running

There is water in the lower part of the refrigerator compartment

- Check the drain hole in the channel at the back of the refrigerator is clear. If this is blocked refer back to Care and Cleaning (page12)
- Make sure no food or items are touching the back wall of the fridge as this may cause items to freeze to the back wall and during the automatic de-frost function water may run on to the shelves as well as in to the lower part of the fridge.

Ice has formed on the back wall of the fridge

- It is normal for some ice droplets to form on the back wall of the fridge(see below image)as this is a wet wall fridge. This does not constitute a fault with the appliance.
- Ensure that no items inside the fridge are in contact with the back wall.

If excessive ice has formed in the freezer:

- Check that there is some resistance when opening the door of the appliance. If it opens at the slightest touch it may mean that the door seal needs to be replaced or the appliance is incorrectly fitted and this can be due to the decor door(s) not being properly fitted. If you are at all unsure, ask your fitter to check the decor doors.
- Check the door seal for any kinks, debris or damage. If you notice any, and are unable to resolve the issue yourself, contact the Customer Care so that the seal can be replaced.



Installation Preparation

This appliance must never be installed close to heat sources, e.g. heating elements, cookers or in damp places.

- To ensure the appliance is level, you should use the height adjustable feet at the front of the appliance.
- The cooling system at the rear of the appliance must not touch the rear wall.
- The appliance must be installed with adequate ventilation. Ensure that there is clearance above the appliance to allow air to escape and that there is space between the rear of the appliance and the wall.
- Adequate ventilation should be provided in the base of the unit to aid airflow (Fig.5/6 (A)) Recommended cut out of 300mm x 300mm.

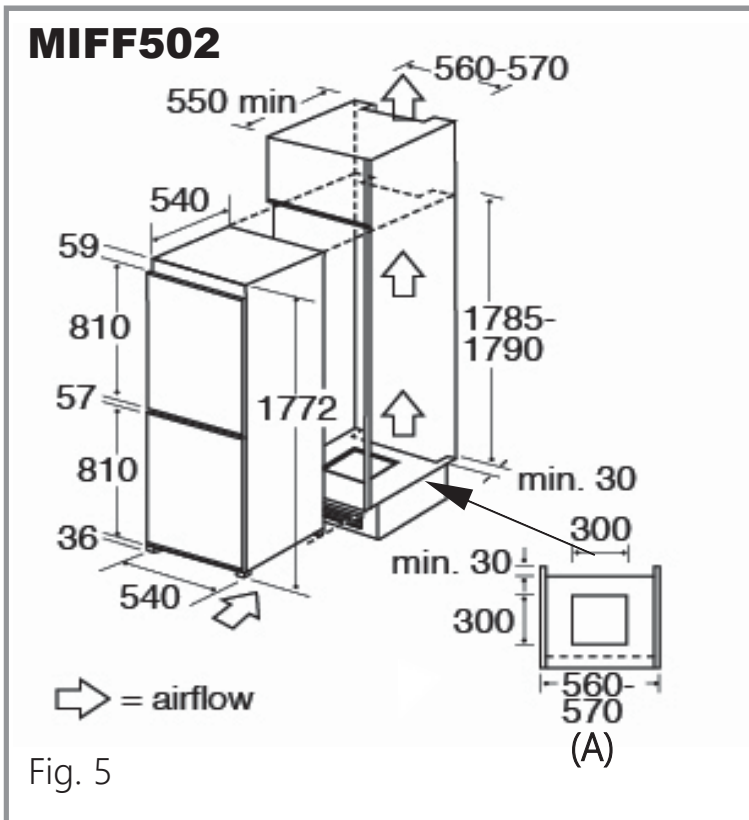
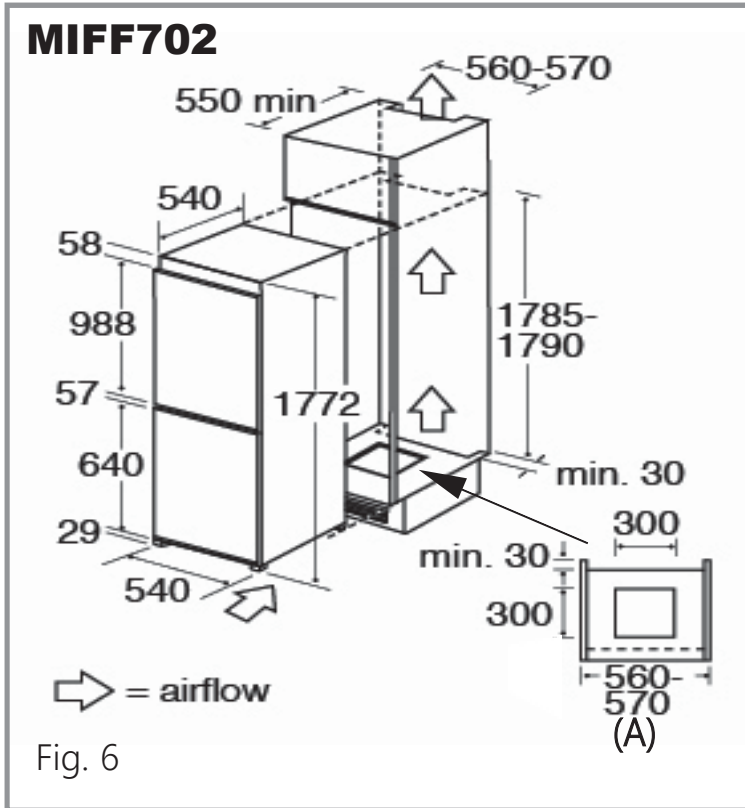


Fig. 5



Important

Please follow the instructions to install this unit.

The diagrams show the ventilation requirements for your appliance. Failure to provide adequate ventilation can lead to increased running costs and premature failure and may invalidate The warranty provided with the appliance.

➔ Indicates required AirFlow

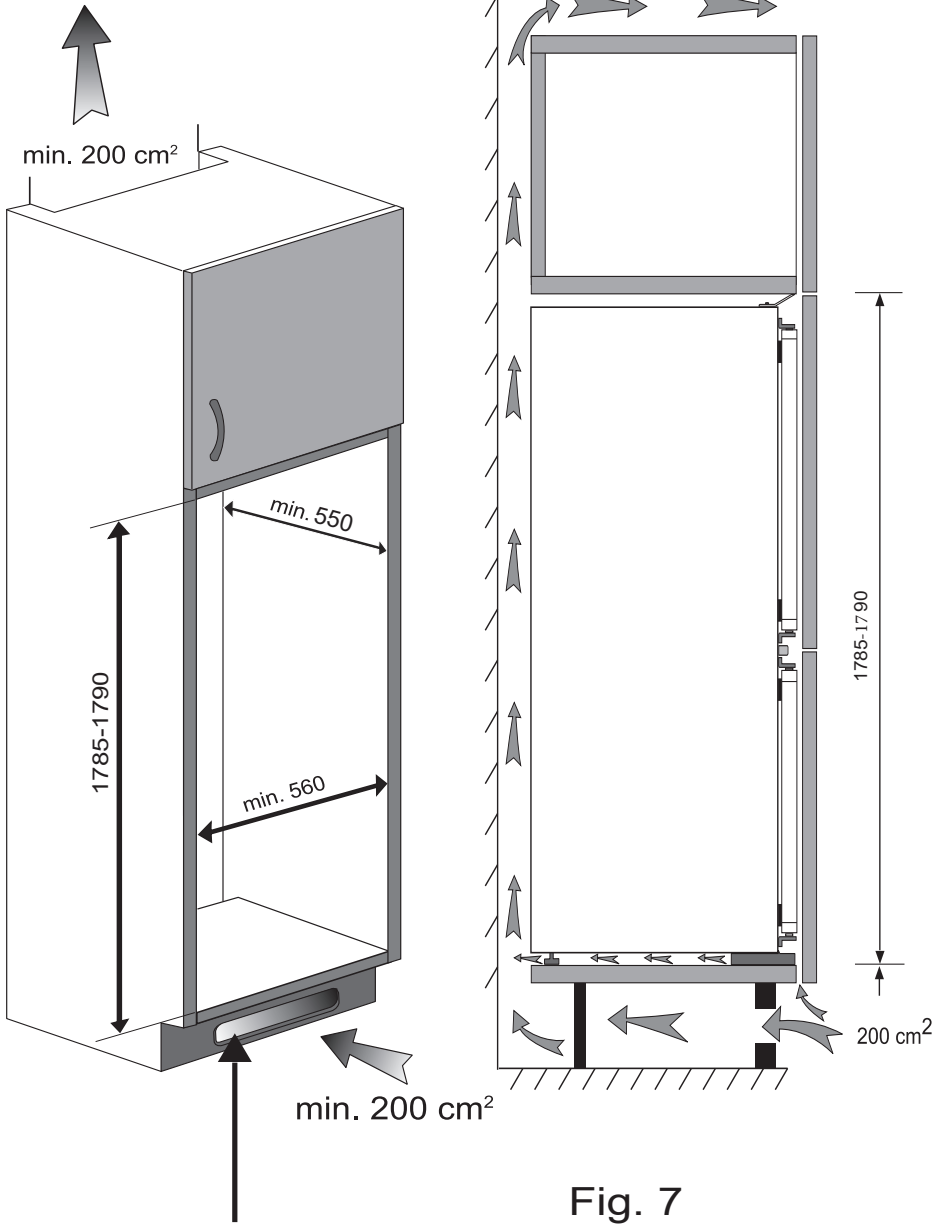


Fig. 7

Ventilation

The main consideration when installing any refrigeration unit into a fitted kitchen is ventilation. The heat removed from the cooling compartment needs to be dissipated into the atmosphere. Incorrect ventilation can lead to premature compressor failure, excessive power consumption and total system failure. For products intended to be installed into a tall housing unit, the following requirements need to be met:

A ventilation hole is required in the plinth of the unit (Fig.7), this allows air to be drawn over the compressor & heat exchange. A decorative grille can then be used to cover this hole. Alternatively the required air flow can be achieved by removal of a thin section of plinth (recommended 600mm x 10mm minimum).

Adequate ventilation should be provided in the base of the unit (Fig.5/6 (A)) to aid airflow (recommended 300mm x 300mm).

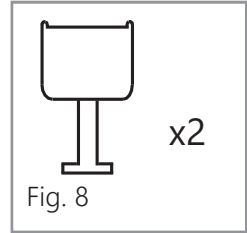
The top of the cabinet needs to be vented into the room (Fig.7) Recommended size of vent opening: 500 x 30mm If the furniture does not allow free air into the room then a plinth vent, and/or other means of ventilation needs to be provided to ensure a natural flow of air.

Please note a plinth vent / grill is not included with the appliance. This is given as a guide to aid installation. Your installer will be able to determine if you would be required to buy a plinth vent / grill for your type of installation or not.

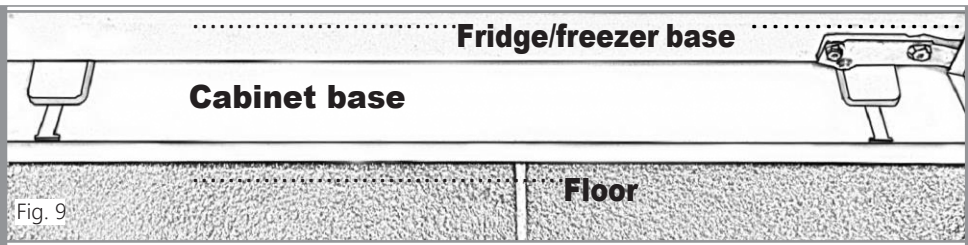
As a rule, the more air that can flow around the appliance, the better and more efficient the operation of the product.

Installation into the cabinet

With the help of another individual, or two, manoeuvre the appliance into the cabinet. There are two metal plates at the base of the appliance. Fit the supplied white spacers (Fig. 8) to these plates, as per Fig. 9.

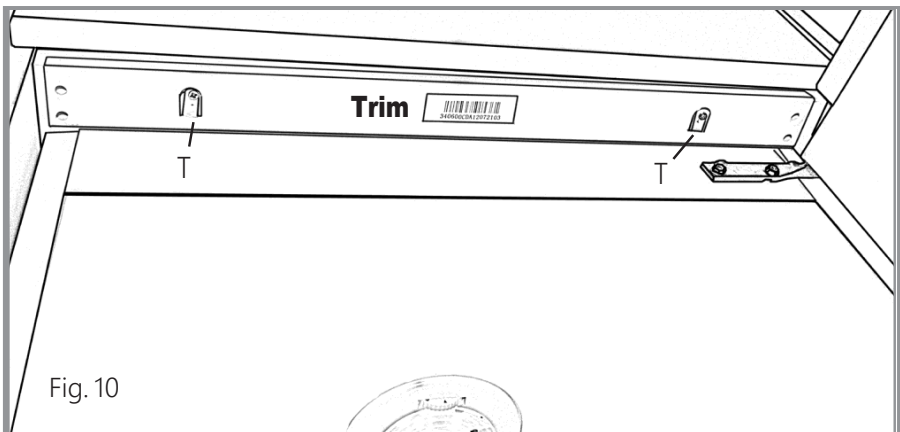


Ensure that the lips of the spacers are level with the lip of the cabinet base.



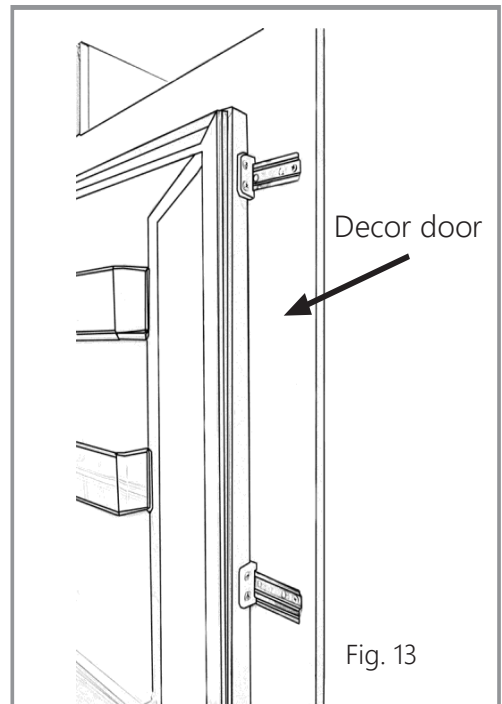
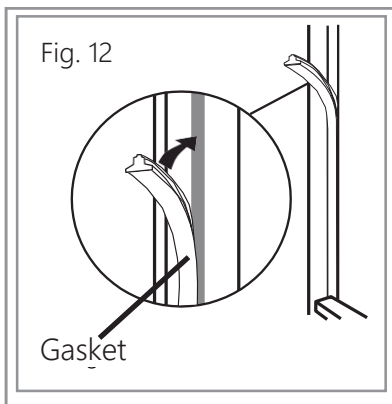
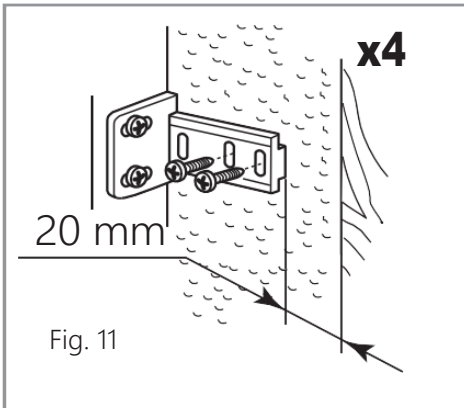
With the base of the appliance aligned correctly with the edge of the cabinet base, the metal trim at the top of the appliance should sit flush against the cabinet edge (if it does not, ensure the base is aligned as per Fig. 9 and that the metal trim in Fig. 10 is not damaged).

Secure the top of the appliance to the top of the cabinet through the metal trim screw holes marked 'T' in Fig. 10.

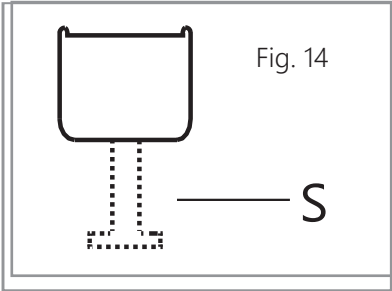


Mounting the Fascia Doors

- Ensure that there is a gap of 3 to 4mm between the non-hinged side and the cabinet wall.
- Locate the slider in the bracket and fix the slider to the fascia door 20 to 22mm from the edge of the fascia as shown in figure 11, ensuring that the slider is positioned centrally and horizontally within the bracket. Tighten securely by hand.
- Fill the gap on the non-hinged side with the gasket/seal strip provided, as shown in Fig. 12.
- The finished look for the door sliders should be similar to those shown in Fig. 13, which shows 2 sliders in place.
- **Ensure the appliance doors open, close and seal properly.**



Once complete, and if you are happy with the fit of the appliance in the cabinet, bend and snap the parts of the white spacers marked 'S' as shown by the dotted outline in Fig. 14. Leave the rest of the spacer cover in place over the metal plates.



Important: After completing the installation, check that the appliance is secured within the unit and that the door(s) close and open properly. If there is no resistance from the door seals when opening the doors, then it is probable that the appliance and/or decor doors are not fitted properly.

Reversing the Doors

We recommend you seek the help of another individual to support the doors whilst performing this operation.

- Carefully prise off the cover cap for the top hinge and unscrew the screws fixing the top hinge to the appliance, you should support the upper door whilst doing this.
- Carefully remove the upper door and place it somewhere safe. Note that there are spacers between the door and the hinge, note how many and their position.
- Remove the central hinge by removing the 3 screws fixing it to the appliance, support the lower door whilst doing this.
- Remove the lower door and place it somewhere safe, again noting the position of any spacer pieces.
- Swap the previous top hinge to the opposite side at the bottom.
- Refit the lower door using any spacers and position the central hinge on the door. After removing the 3 cover caps, fix the hinge securely to the appliance.
- Swap the previous bottom hinge to the opposite side at the top. Refit the upper door and the hinge fixing securely to the appliance.
- Fit the central cover caps and top hinge cover pieces in place to complete the process.
- Unscrew all four slider brackets from the doors and swap them over to the side furthest from the new hinge positions, before the decor door is fitted.

Ensuring the door seals correctly:

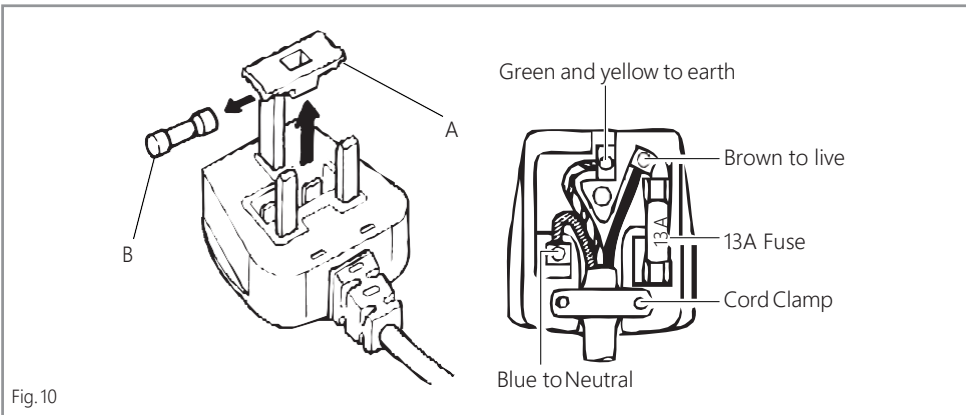
It is normal for the seal to be compressed after the door has been reversed. With the door closed, use a hair dryer to expand the seal and fill the gap between the door and the body of the appliance.

Take care not to use the hair dryer too close to the appliance, which could damage the seal. A distance of approximately 10cm should be adequate.

When completed, allow the seal and door to cool before touching them. Once done, the seal should remain in position.

Electrical Information

Warning! This appliance must be earthed.



The mains lead of this appliance has been fitted with a BS 1363A 13Amp fused plug. To change a fuse in this type of plug, follow the steps below:

1. Remove the fuse cover(A) and fuse(B)
2. Fit replacement 13A fuse, ASTA approved to BS 1362 type, into the fuse cover.
3. Replace fuse cover.

Important: Do not use the appliance without the fuse cover in position.

How to connect an alternative plug

If the fitted plug is not suitable for your socket outlet, then it should be cut off and disposed of safely to avoid possible shock hazard. A suitable alternative plug of at least 13 Amp rating to BS 1363 should be used.

As the colours of the wires in the mains lead of this appliance may not correspond with the coloured markings identifying the terminals in your plug, proceed as follows:-

-
- The wire which is coloured GREEN and YELLOW must be connected to the terminal which is marked with letter (E) or by the Earth symbol \perp or coloured GREEN and YELLOW.
 - The wire which is coloured BLUE must be connected to the terminal which is marked with the letter (N) or coloured BLACK.
 - The wire which is coloured BROWN must be connected to the terminal which is marked with the letter (L) or coloured RED.

If in doubt regarding the electrical connection of this appliance, consult a qualified electrician. Do not shorten the supply cable, the appliance may require removing for servicing.

N.B. Ensure that the plug socket is situated in an easily accessible place after installation.

E & O E. All instructions, dimensions and illustrations are provided for guidance only. Manufacturer reserve the right to change specifications without prior notice.

Climate range

The information about the climate range of the appliance is provided on the rating plate. It indicates at which ambient temperature (that is room temperature in which the appliance is working) is optimal for the operation of the appliance.

Climate class		Allowable ambient temperature
SN	Extended Temperate	This refrigeration appliance is intended for use at an ambient temperature ranging between 10°C and 32°C
N	Temperate	This refrigeration appliance is intended for use at an ambient temperature ranging between 16°C and 32°C
ST	Sub Tropical	This refrigeration appliance is intended for use at an ambient temperature ranging between 18°C and 38°C
T	Tropical	This refrigeration appliance is intended for use at an ambient temperature ranging between 18°C and 43°C

Practical tips

Due to the natural circulation of the air in the appliance, there are different temperature zones in the refrigerator chamber. The coldest area is directly above the vegetable drawers. Use this area for all delicate and highly perishable food such as:


- Fish, meat, poultry
- Sausage products, ready meals
- Dishes or baked goods containing eggs or cream
- Fresh dough, cake mixtures
- Pre-packed vegetables and other fresh food with a label stating it should be stored at a temperature of approximately 4°C

The warmest area is in the top section of the door. Use this area for storing butter and cheese.


To achieve the most effective food preservation for the longest possible time and to avoid wasting any food, position the products as shown in Fig. 1. In addition this figure illustrates the layout of drawers, baskets and shelves, which allows the most efficient use of energy.

Optimal temperature and storage conditions will extend product shelf life and optimise electricity consumption. Optimal storage temperature range should be stated on the food packaging.

Montpellier

Energy Efficiency Information			
Attribute	Symbol	Value	Units
Model identification: MIFF502			
Category of the household refrigerating appliance		7	
Voltage / Frequency	220 - 240V ~ / 50Hz		
Dimensions (W x D x H cm)	54 X 54 X 177		
Mass of the appliance	M	52.5	kg
Energy efficiency class		F	
Annual energy consumption	AEC	272.29	kWh/year
The energy consumption is based on standard test results for 24 hours. Actual energy consumption will depend on how the appliance is used and where it is located.			
Storage volume (fridge)		147	L
Storage volume (freezer)		81	L
Star rating			°C
Defrosting type	Automatic		
Climate class		ST	
Airborne acoustic noise emissions	pW	39	dB(A)

Montpellier

Energy Efficiency Information			
Attribute	Symbol	Value	Units
Model identification: MIFF702			
Category of the household refrigerating appliance		7	
Voltage / Frequency	220 - 240V ~ / 50Hz		
Dimensions (W x D x H cm)	54 X 54 X 177		
Mass of the appliance	M	52	kg
Energy efficiency class		F	
Annual energy consumption	A _{Ec}	256.23	kWh/year
The energy consumption is based on standard test results for 24 hours. Actual energy consumption will depend on how the appliance is used and where it is located.			
Storage volume (fridge)		182	L
Storage volume (freezer)		60	L
Star rating			°C
Defrosting type	Automatic		
Climate class		ST	
Airborne acoustic noise emissions	pW	39	dB(A)

After-sales assistance

If you continue to experience problems with your appliance, please call the Montpellier customer service helpline on: **01759 487839**

Please have all your product details available, including the model number, serial number, date of purchase, and your retailer's details before registering a fault.

The service call cannot progress without this information.

Your 2 year Manufacturer's guarantee

THIS DOES NOT AFFECT YOUR STATUTORY RIGHTS.

Your new Montpellier appliance carries a free guarantee which protects you against the cost of repairs during the first 24 months from date of purchase provided that:

Any claim is accompanied by evidence of the model reference, model serial number and proof of purchase, such as a Sales Receipt, showing that the appliance was purchased within the 24 months prior to the date of claim.

What is not covered under the Guarantee

- Any appliance not correctly installed and operated in accordance with the manufacturer's instructions
- Any appliance that is used for anything other than domestic purposes.
Any defect caused by accident, misuse, unauthorised modification or inexpert repair.
- Cost of Call-out where a fault cannot be found with the appliance.
Cost of Call-out for work covering routine maintenance, such as, but not exclusively, cleaning of filters or defrosting.
- Cost of Call-out for work required to correct the alignment of doors following door reversal procedures carried out by you.
Use of the appliance by anyone other than the Householder.
Use in any commercial environment.
- Consumable items, such as, but not exclusively, fuses in plugs, bulbs and breakable items which require routine replacement.
Repair costs incurred that have not been authorised by Montpellier service and/or carried out by a non-approved Montpellier engineer.
- Montpellier Appliances do not accept claims for consequential loss, rusting, corroding, delivery damage or scratches.

YOUR GUARANTEE IS VALID ONLY IN THE UK.

To register your appliance simply complete the card in your appliance pack and return it with a stamp affixed or alternatively you can register online at **www.montpellier-appliances.com/support**

SERVICE HELP-LINE

Should your appliance develop a fault, please call the Montpellier customer service helpline on:

01759 487839

Please remember to have all your product details available, including the model number, serial number, date of purchase and your retailer's details before registering a fault.

Montpellier Domestic Appliances Ltd.

Unit 1, Tewkesbury Retail Park, Northway Lane,
Tewkesbury, Gloucestershire GL20 8JU

www.montpellier-appliances.com



The symbol on the product or on its packaging indicates that this product may not be treated as household waste. Instead it shall be handed over to the applicable collection point for the recycling of electrical and electronic equipment. By ensuring this product is disposed of correctly, you will help prevent potential negative consequences for the environment and human health, which could otherwise be caused by inappropriate waste handling of this product. For more detailed information about recycling of this product, please contact your local city office, your household waste disposal service or the shop where you purchased the product.